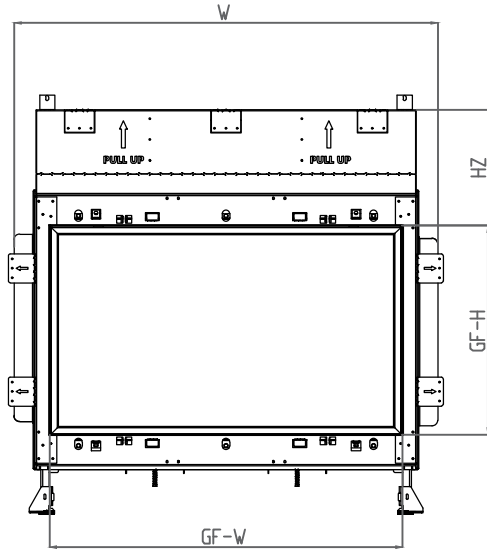
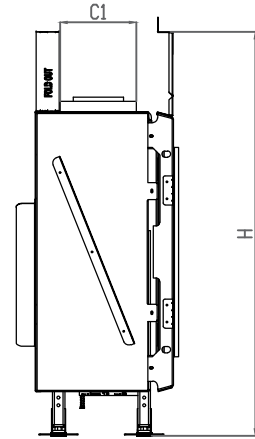


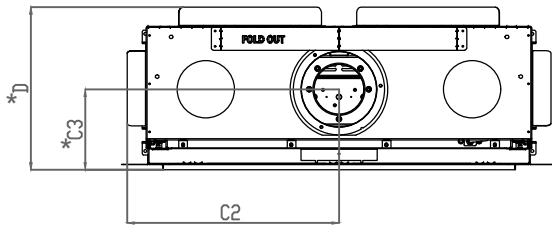
90H Front Lyric - Flush



Front View



Side View



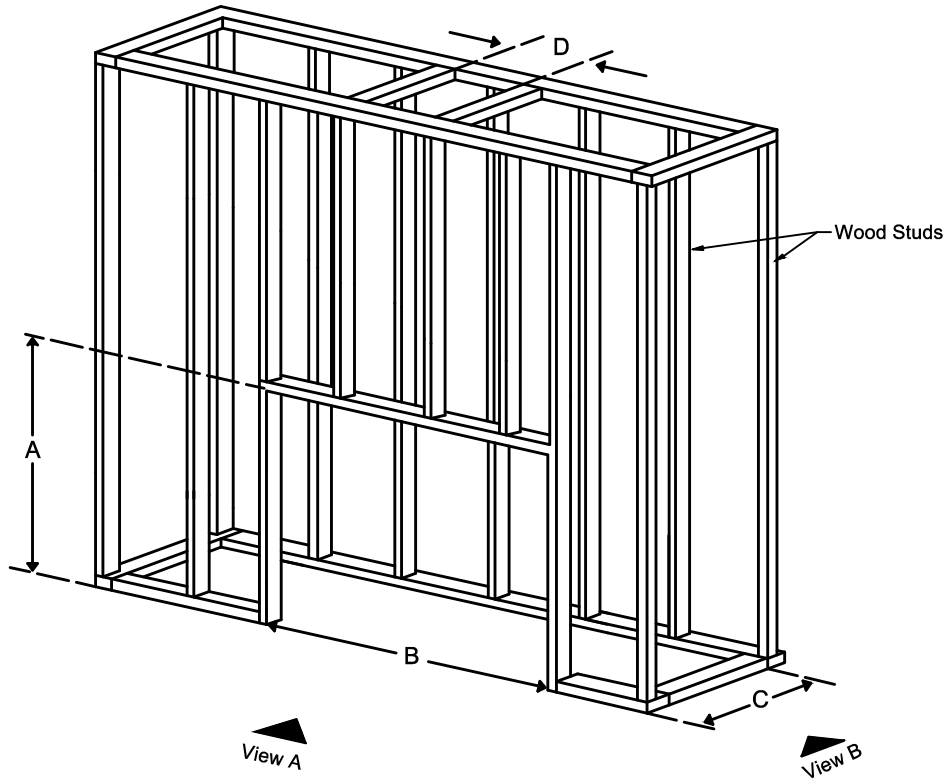
Top View

Model	(H) Height	(W) Width	(D) Depth	HZ	C1	C2	C3	Glass Opening	
								(GF) Front	(GS) Side
90H	41 13/16"	43 7/8"	16 13/16"	11 15/16"	7 7/8"	21 15/16"	8 5/16"	36 9/16" W X 21 5/8" H	—

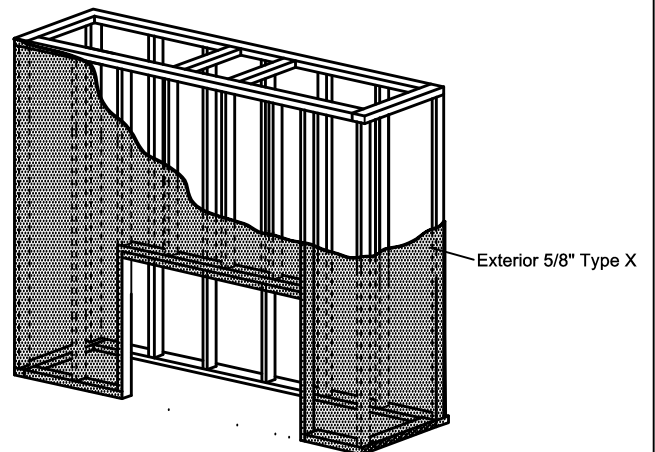
* Dimensions includes 1/2" lip (for drywall)

- Note : 1. Drawings are not to Scale
2. All dimensions in inches

90H Front Lyric - Flush



Model	A	B	C	D
90H	41 ¹³ / ₁₆ "	43 ⁷ / ₈ "	16 ⁵ / ₁₆ "	10"

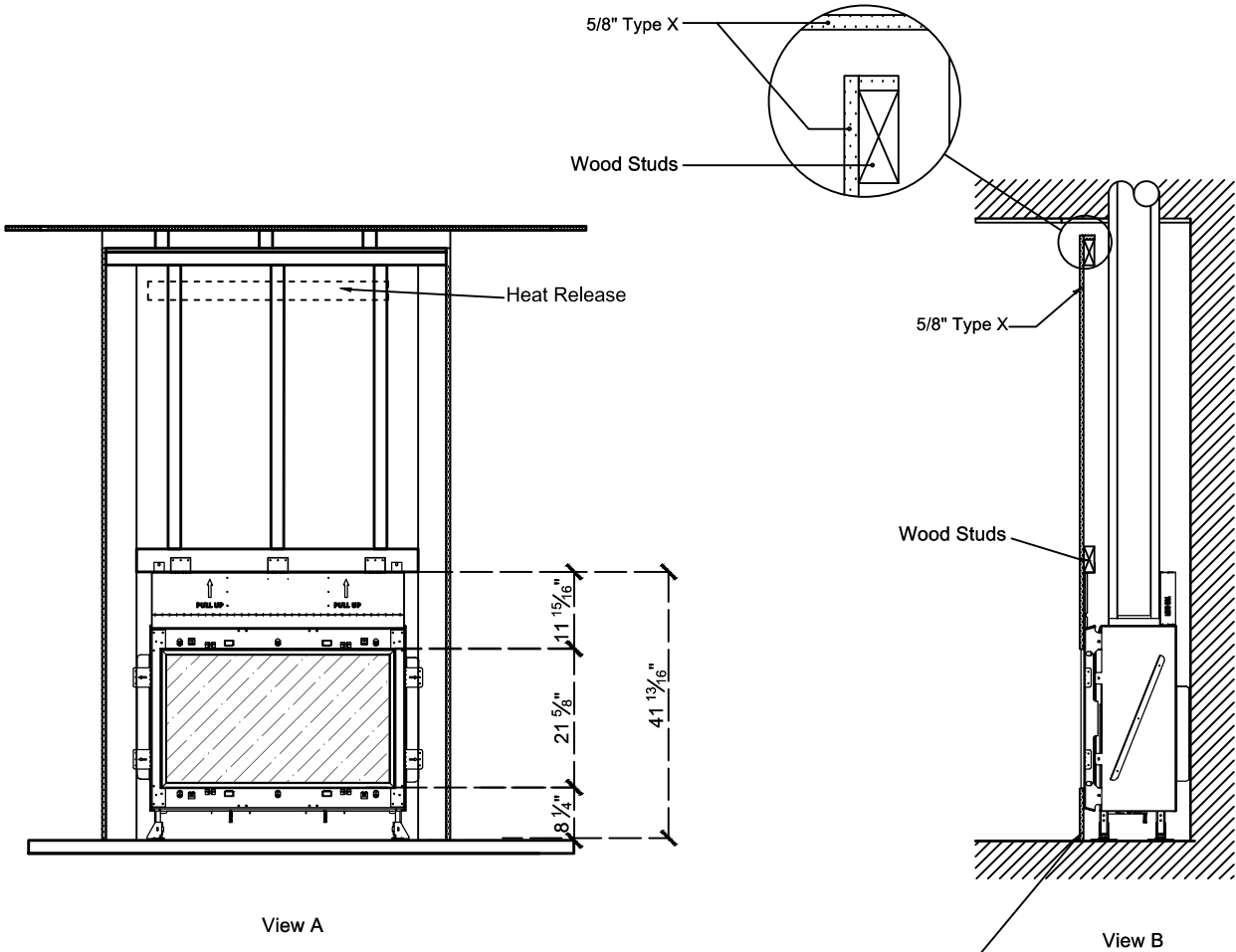


LEGEND

-  5/8" Type X
-  Steel
-  Wood
-  Glass
-  Wood Studs
-  Steel Studs

Note : 1. Drawings are not to Scale
2. All dimensions in inches

90H Front Lyric - Flush



Add Drywall nailer as needed maintain 2" clearance to any part of Fireplace

The valve can be moved 36" - 40" from the center of the fireplace in any direction

- Note :** 1. Drawings are not to Scale
2. All dimensions in inches