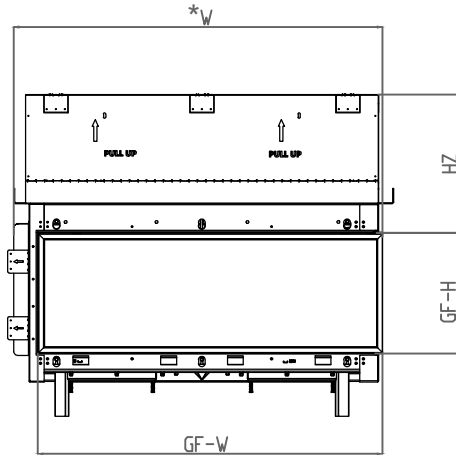
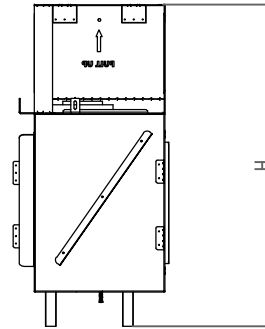


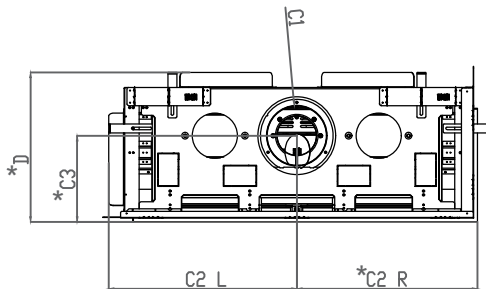
110 Right side /Left side Lyric - Flush



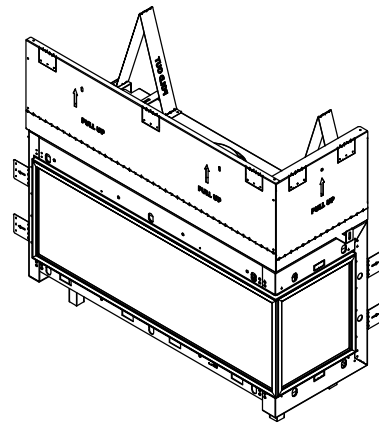
Front View



Side View



Top View



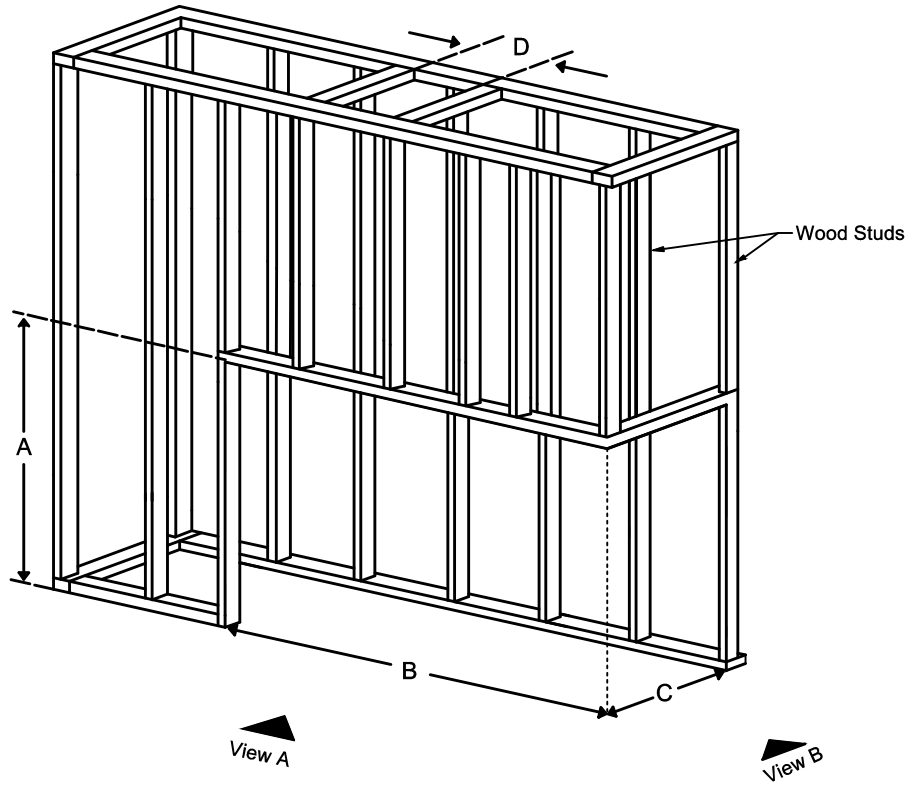
- Note :**
1. on RS/LS Units C2 dimension is measured from glass side to the center of flue
 2. This drawing shows RS units. for LS units swap between C2 L and C2 R dimension

Model	(H) Height	(W) Width	(D) Depth	HZ	C1	C2 L	C2 R	C3	Glass Opening	
									(GF) Front	(GS) Side
110	41 13/16"	47 15/16"	19 7/16"	18"	7 7/8"	24 7/16"	23 1/2"	11 3/16"	44 13/16" W X 15 3/4" H	14 3/4" W X 15 3/4" H

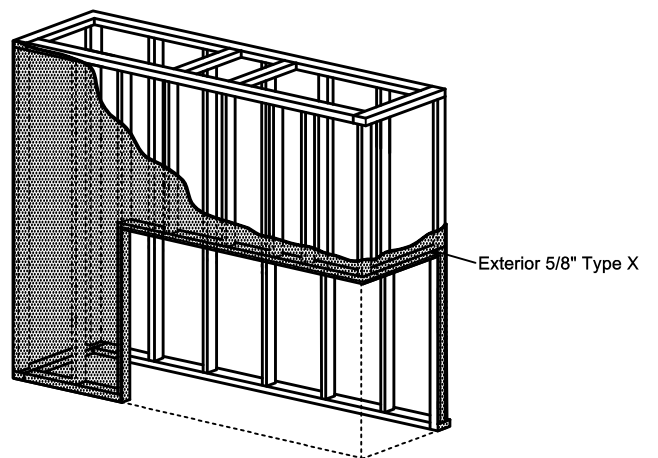
*Dimensions includes 1/2" lip (for drywall)

- Note :**
1. Drawings are not to Scale
 2. All dimensions in inches


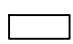
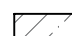

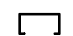
110 Right side /Left side Lyric - Flush



Model	A	B	C	D
110	41 ¹³ / ₁₆ "	47 ⁷ / ₁₆ "	18 ¹⁵ / ₁₆ "	10"

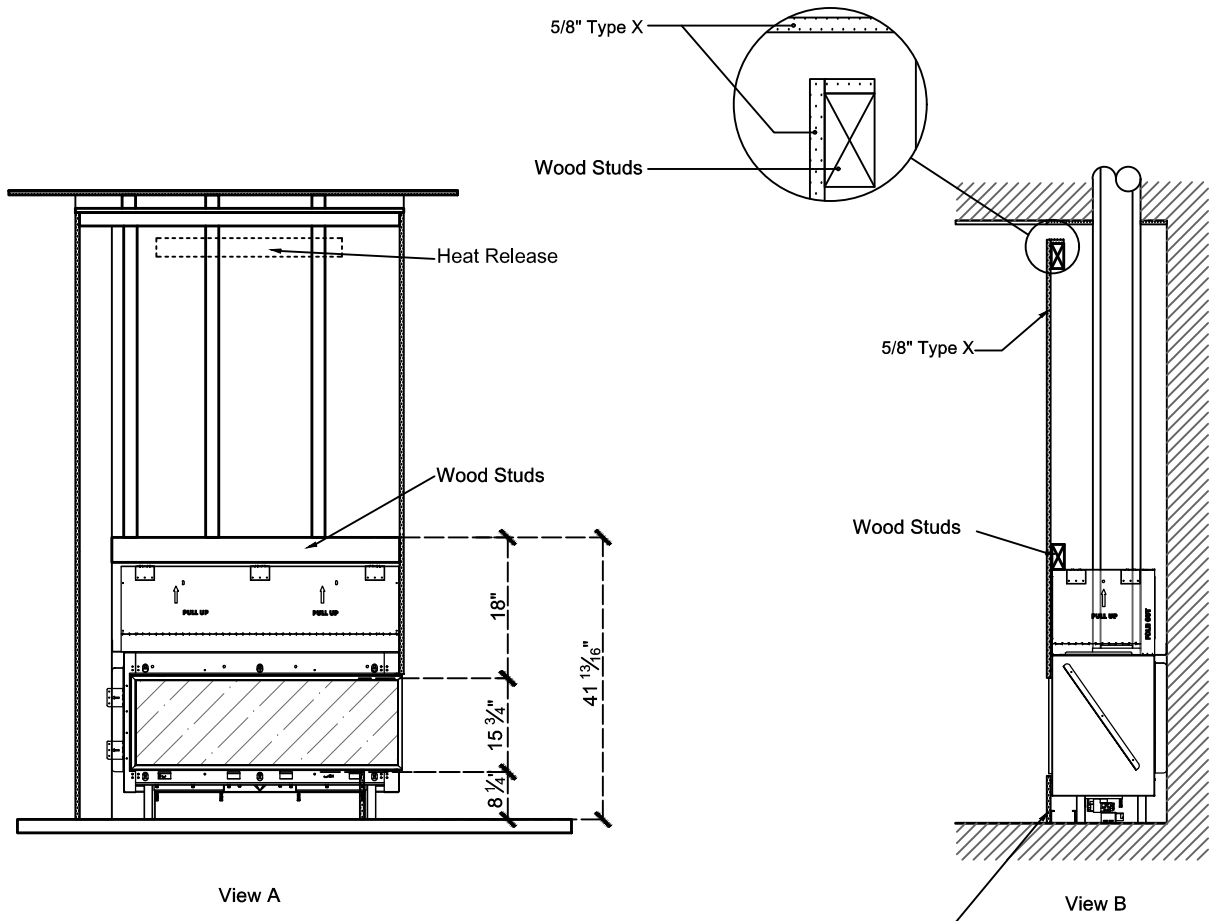


LEGEND

 5/8" Type X	 Steel	 Wood
 Glass	 Wood Studs	 Steel Studs

Note : 1. Drawings are not to Scale
2. All dimensions in inches

110 Right side /Left side Lyric - Flush



Add Drywall nailer as needed maintain 2" clearance to any part of Fireplace

The valve can be moved 36" - 40" from the center of the fireplace in any direction

Note : 1. Drawings are not to Scale
2. All dimensions in inches