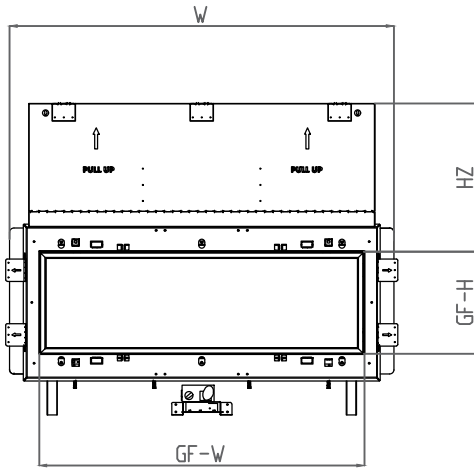
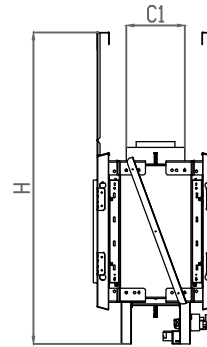


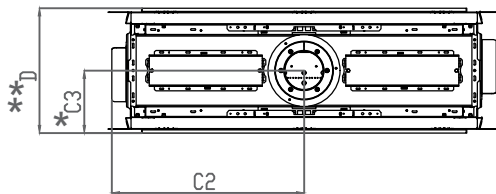
110 See Through Lyric - Flush



Front View



Side View



Top View

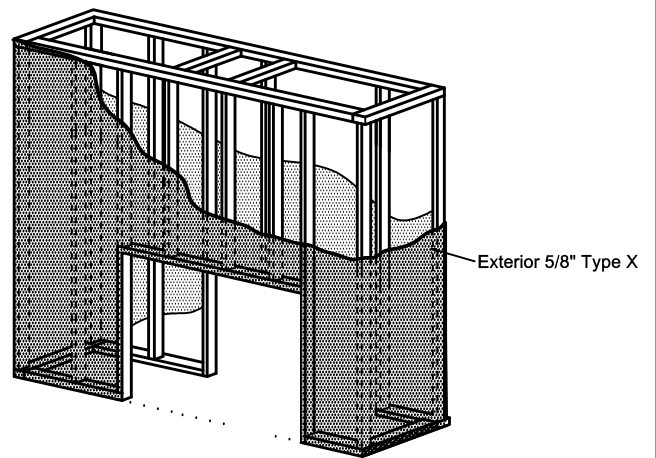
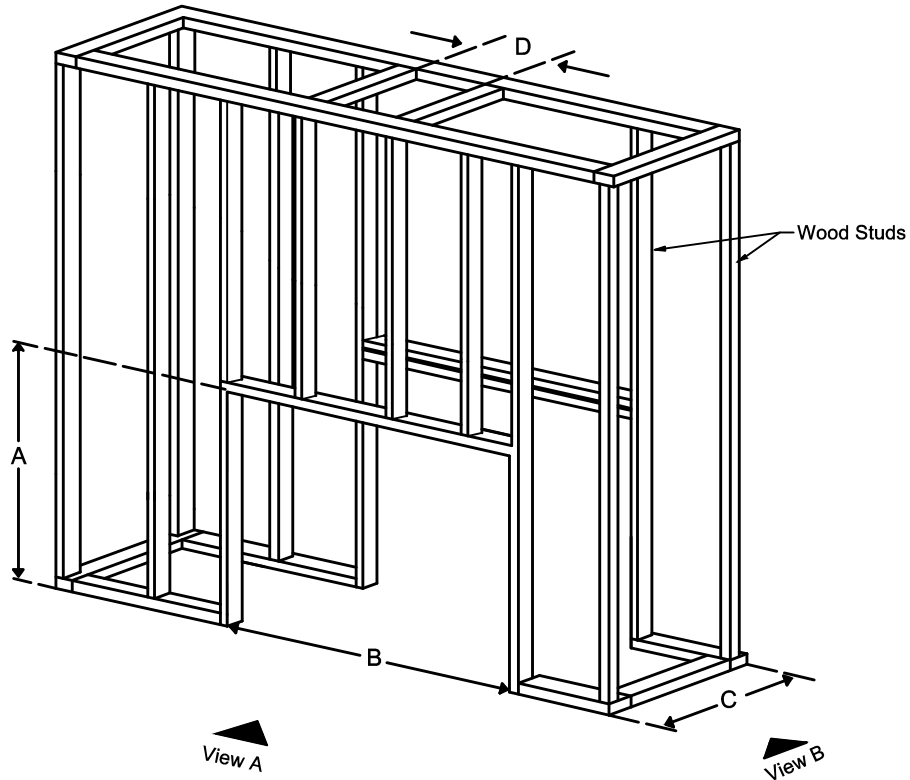
Model	(H) Height	(W) Width	(D) Depth	HZ	C1	C2	C3	Glass Opening	
								(GF) Front	(GS) Side
110	41 13/16"	51 9/16"	16 3/4"	19 7/8"	7 7/8"	25 3/4"	8 3/4"	43 5/8" W X 13 3/4" H	—

* Dimensions includes 1/2" lip (for drywall)

Note : 1. Drawings are not to Scale

2. All dimensions in inches

110 See Through Lyric - Flush



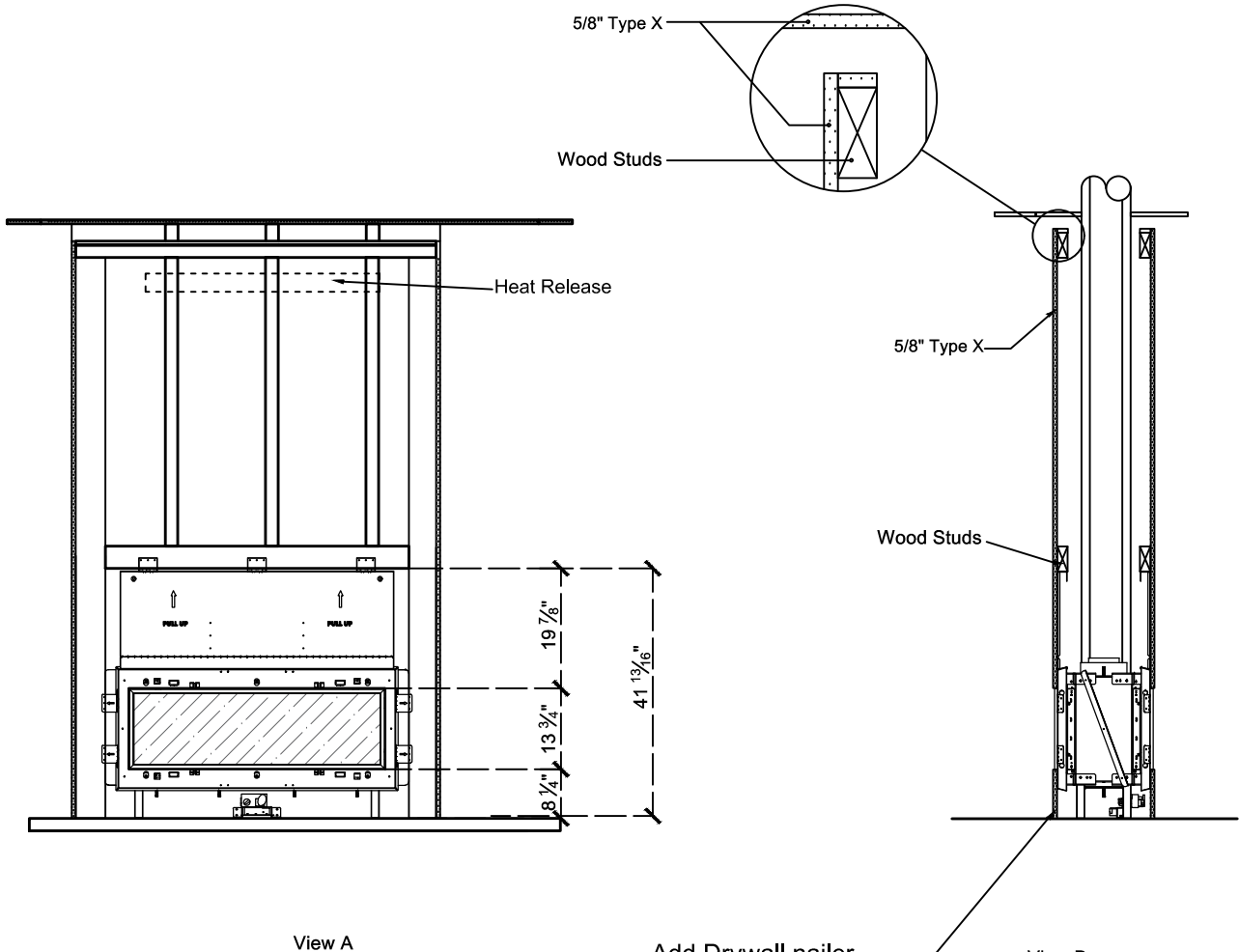
Model	A	B	C	D
110	41 ¹³ / ₁₆ "	51 ⁹ / ₁₆ "	15 ³ / ₄ "	10"

Note : 1. Drawings are not to Scale
2. All dimensions in inches

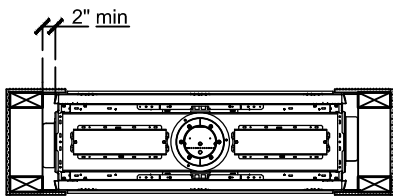
LEGEND

	5/8" Type X		Steel		Wood
	Glass		Wood Studs		Steel Studs

110 See Through Lyric - Flush



Add Drywall nailer as needed maintain 2" clearance to any part of Fireplace



Top View

The valve can be moved 36" - 40" from the center of the fireplace in any direction

Note : 1. Drawings are not to Scale
2. All dimensions in inches