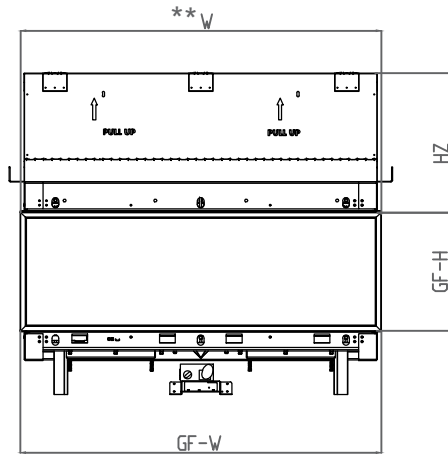
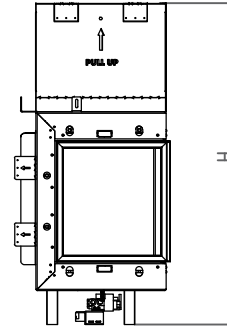


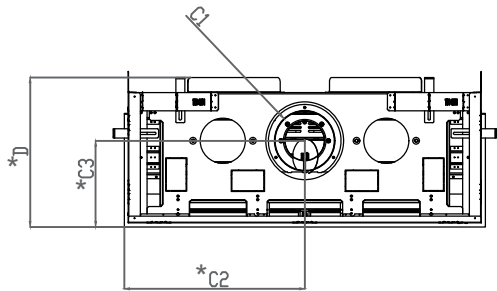
**110 Three Side Lyric - Flush**



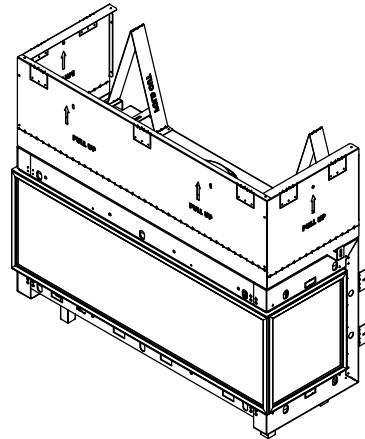
Front View



Side View



Top View



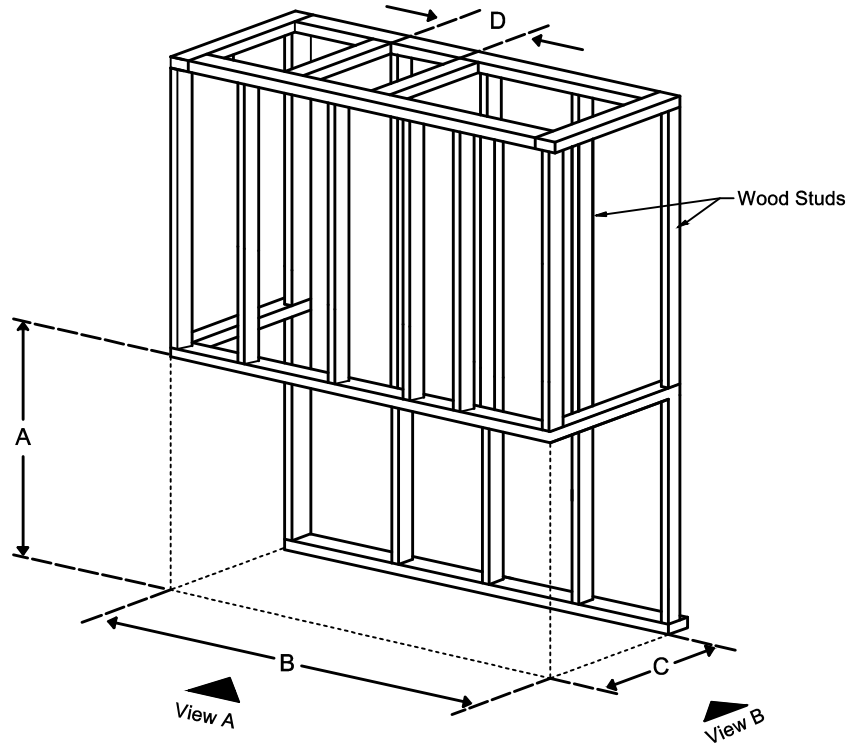
- Note : 1. on RS/LS Units C2 dimension is measured from glass side to the center of flue  
 2. This drawing shows RS units. for LS units swap between C2 L and C2 R dimension

Model	(H) Height	(W) Width	(D) Depth	HZ	C1	C2	C3	Glass Opening	
								(GF) Front	(GS) Side
110	41 13/16"	46 15/16"	19 7/16"	18"	7 7/8"	23 1/2"	11 3/16"	41 13/16" W X 15 3/4" H	14 3/4" W X 15 3/4" H

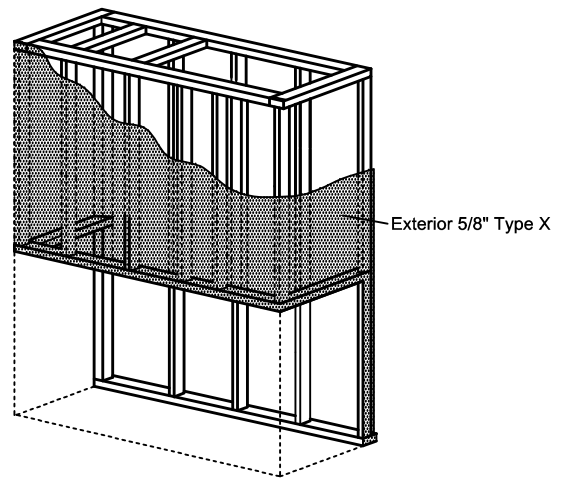
\*Dimensions includes 1/2" lip ( for drywall)

- Note : 1. Drawings are not to Scale  
 2. All dimensions in inches

**110 Three Side Lyric - Flush**



Model	A	B	C	D
110	41 <sup>13</sup> / <sub>16</sub> "	45 <sup>15</sup> / <sub>16</sub> "	18 <sup>15</sup> / <sub>16</sub> "	10"

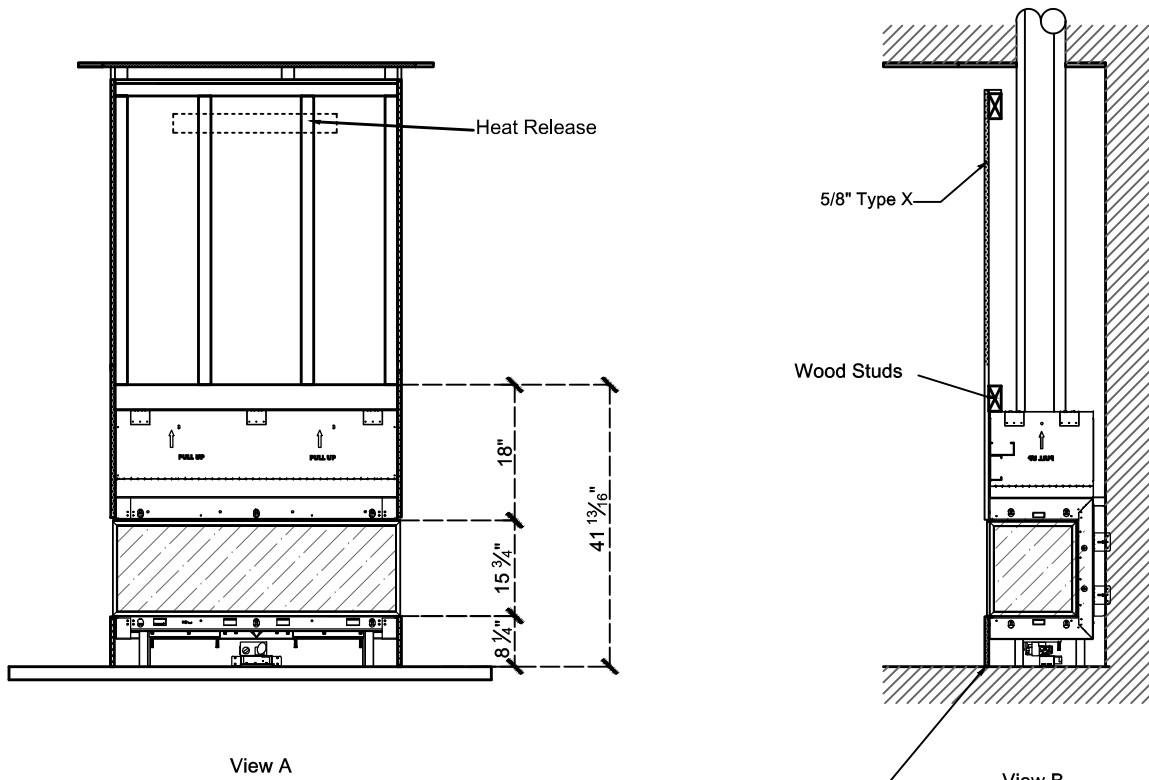


**LEGEND**

	5/8" Type X		Steel		Wood
	Glass		Wood Studs		Steel Studs

**Note :** 1. Drawings are not to Scale  
2. All dimensions in inches

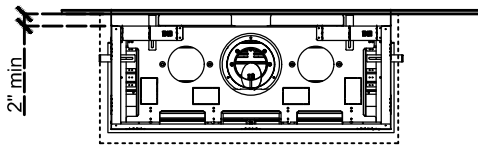
**110 Three Side Lyric - Flush**



View A

View B

Add Drywall nailer  
as needed maintain 2"  
clearance to any part of  
Fireplace



Top View

The valve can be moved  
36" - 40" from the center  
of the fireplace in any  
direction

Note : 1. Drawings are not to Scale  
2. All dimensions in inches