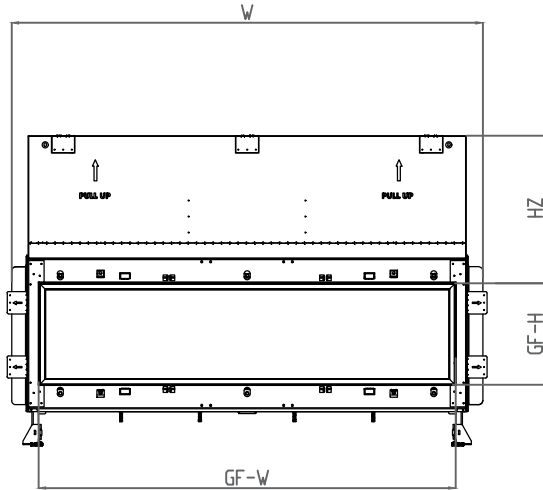
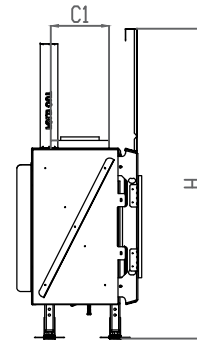


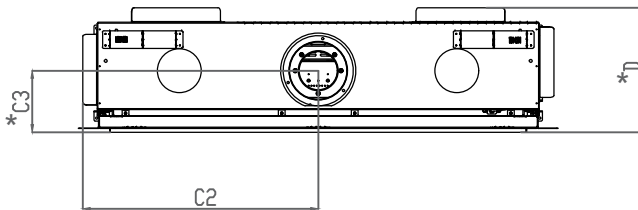
### 140 Front Lyric - Flush



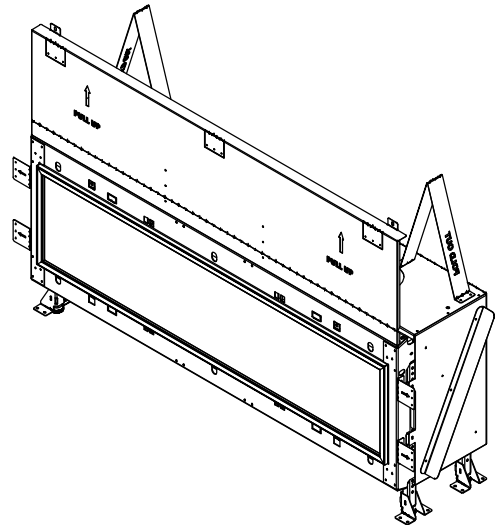
Front View



Side View



Top View



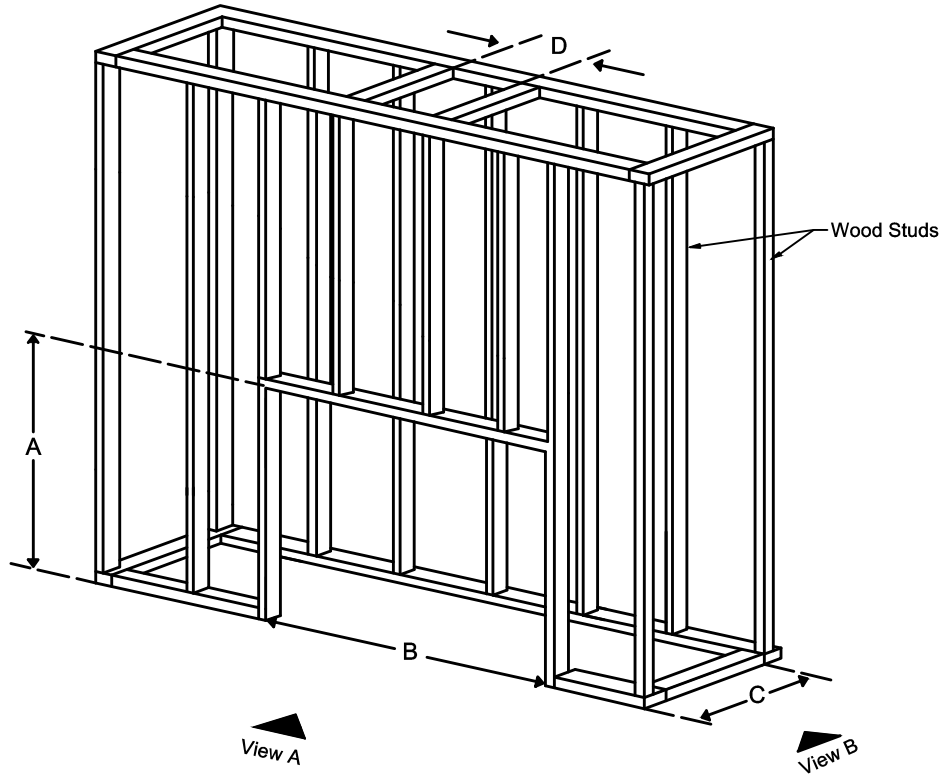
Model	(H) Height	(W) Width	(D) Depth	HZ	C1	C2	C3	Glass Opening	
								(GF) Front	(GS) Side
140	41 13/16"	63 9/16"	16 13/16"	19 7/8"	7 7/8"	31 3/4"	8 5/16"	56 3/16" W X 13 3/4" H	—

\* Dimensions includes 1/2" lip (for drywall)

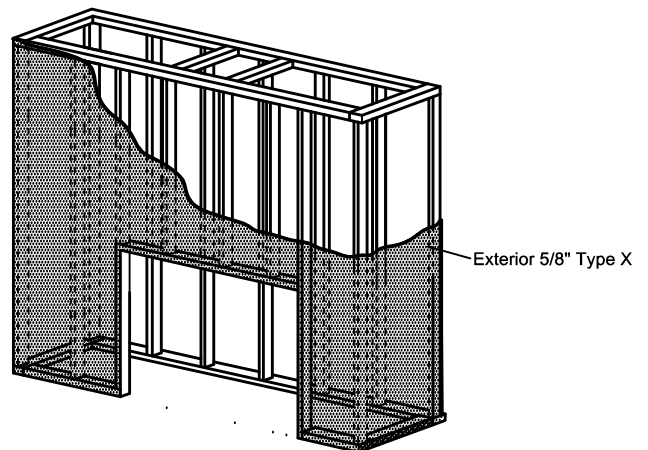
Note : 1. Drawings are not to Scale

2. All dimensions in inches

**140 Front Lyric - Flush**



Model	A	B	C	D
140	41 <sup>13</sup> / <sub>16</sub> "	63 <sup>9</sup> / <sub>16</sub> "	16 <sup>5</sup> / <sub>16</sub> "	10"

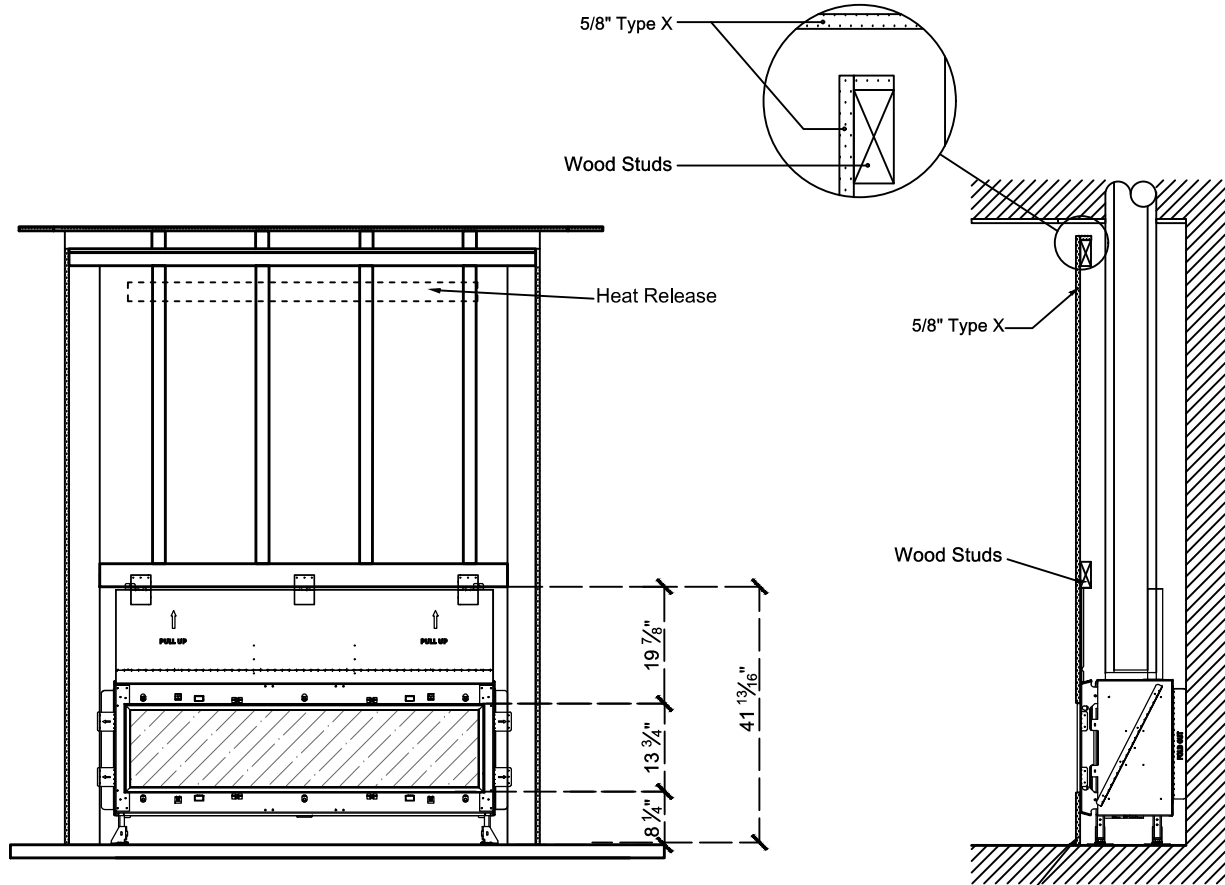


**Note :** 1. Drawings are not to Scale  
2. All dimensions in inches

**LEGEND**

- 5/8" Type X
- Steel
- Wood
- Glass
- Wood Studs
- Steel Studs

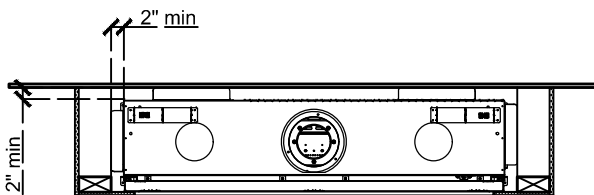
### 140 Front Lyric - Flush



View A

View B

Add Drywall nailer as needed maintain 2" clearance to any part of Fireplace



Top View

**Note :** 1. Drawings are not to Scale  
2. All dimensions in inches

The valve can be moved 36" - 40" from the center of the fireplace in any direction