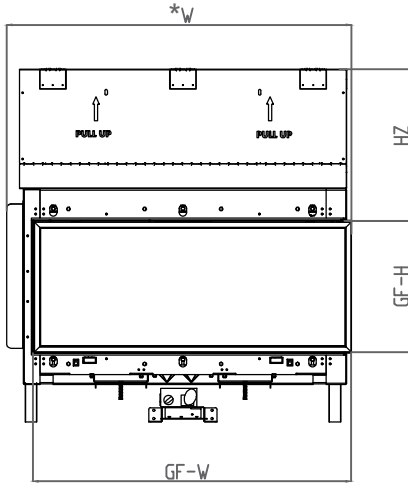
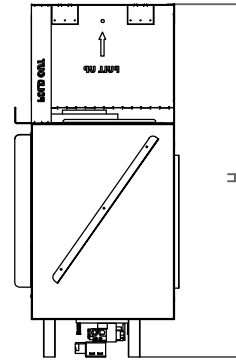


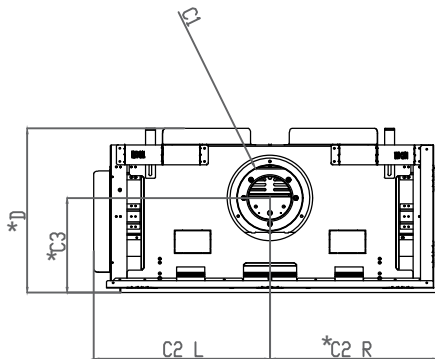
90 Right side /Left side Lyric - Flush



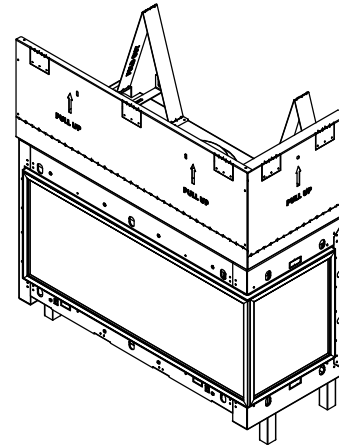
Front View



Side View



Top View



Note : 1. on RS/LS Units C2 dimension is measured from glass side to the center of flue

2. This drawing shows RS units. for LS units swap between C2 L and C2 R dimension

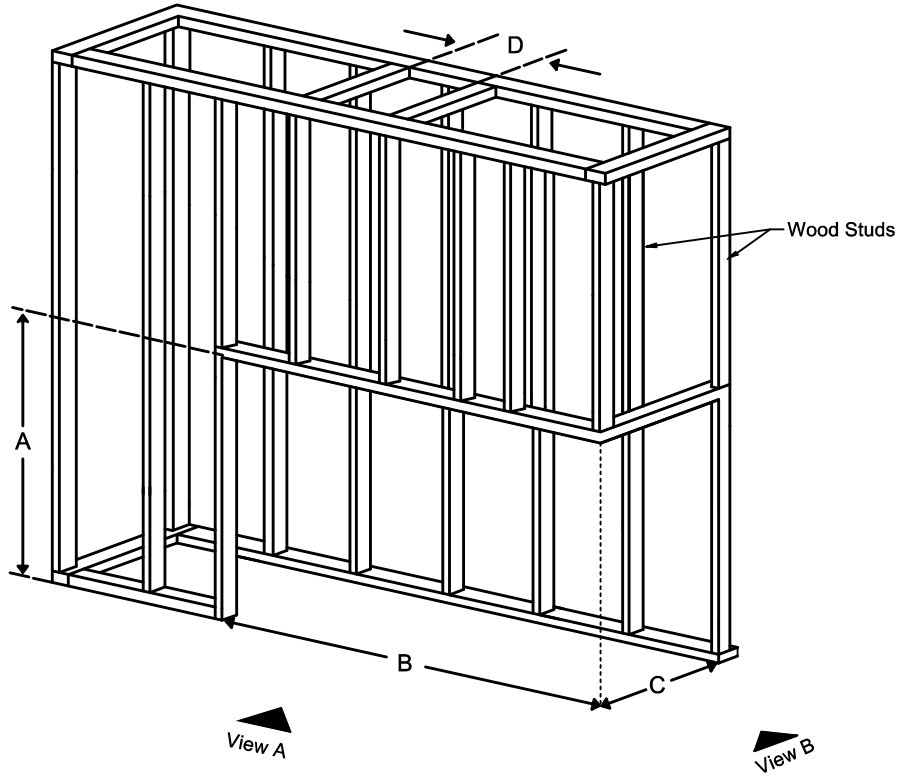
Model	(H) Height	(W) Width	(D) Depth	HZ	C1	C2 L	C2 R	C3	Glass Opening	
									(GF) Front	(GS) Side
90	41 13/16"	40 13/16"	19 7/16"	18"	7 7/8"	20 14/16"	19 15/16"	11 3/16"	37 3/4" W X 15 3/4" H	14 3/4" W X 15 3/4" H

* Dimensions includes 1/2" lip (for drywall)

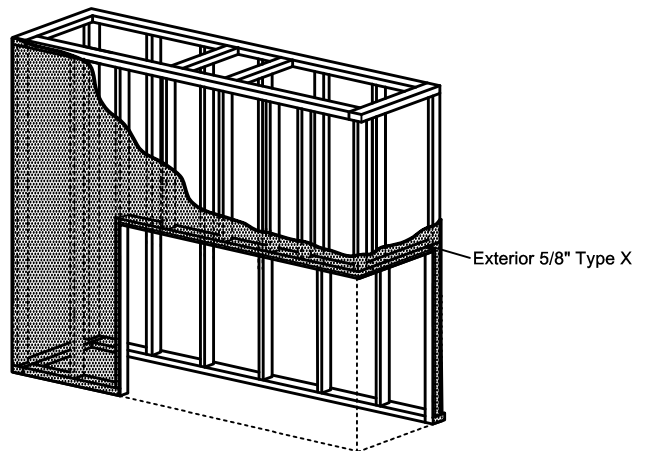
Note : 1. Drawings are not to Scale

2. All dimensions in inches



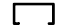
90 Right side /Left side Lyric - Flush



Model	A	B	C	D
90	41 ¹³ / ₁₆ "	40 ⁵ / ₁₆ "	18 ¹⁵ / ₁₆ "	10"

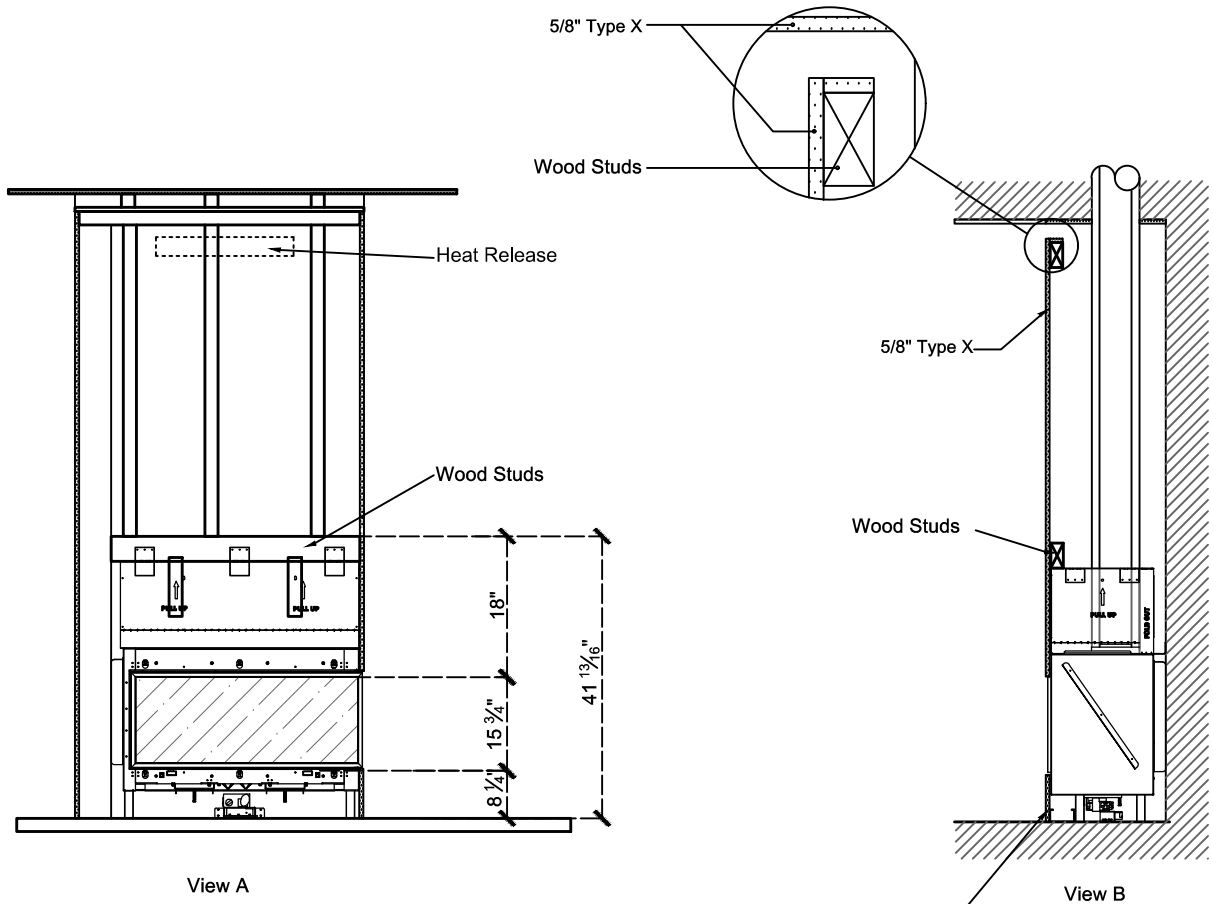


LEGEND

-  5/8" Type X
-  Steel
-  Wood
-  Glass
-  Wood Studs
-  Steel Studs

Note : 1. Drawings are not to Scale
2. All dimensions in inches

90 Right side /Left side Lyric - Flush



Add Drywall nailer as needed maintain 2" clearance to any part of Fireplace

The valve can be moved 36" - 40" from the center of the fireplace in any direction

Note : 1. Drawings are not to Scale
2. All dimensions in inches