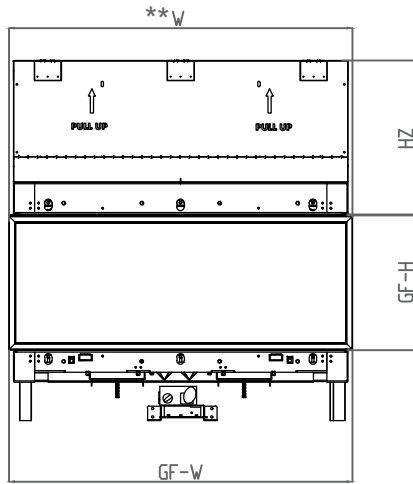
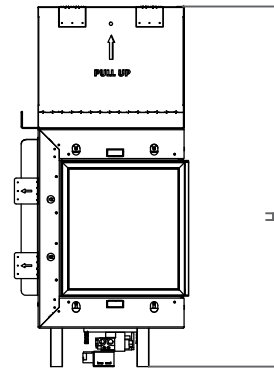


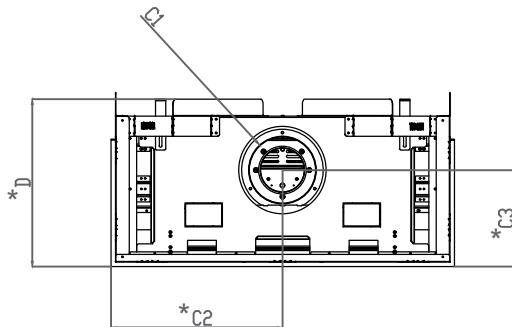
### 90 Three Side Lyric - Flush



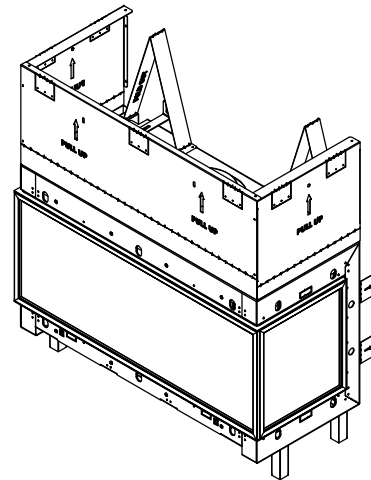
Front View



Side View



Top View



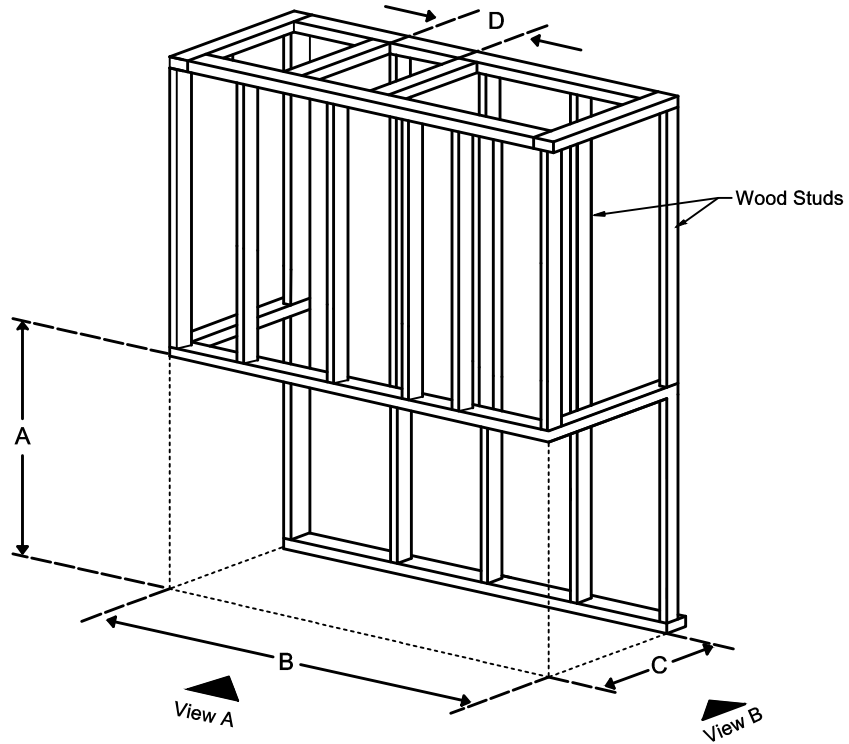
- Note :**
1. on RS/LS Units C2 dimension is measured from glass side to the center of flue
  2. This drawing shows RS units. for LS units swap between C2 L and C2 R dimension

Model	(H) Height	(W) Width	(D) Depth	HZ	C1	C2	C3	Glass Opening	
								(GF) Front	(GS) Side
90	41 <sup>13</sup> / <sub>16</sub> "	39 <sup>13</sup> / <sub>16</sub> "	19 <sup>7</sup> / <sub>16</sub> "	18"	7 <sup>7</sup> / <sub>8</sub> "	19 <sup>15</sup> / <sub>16</sub> "	11 <sup>3</sup> / <sub>16</sub> "	39 <sup>13</sup> / <sub>16</sub> " W X 15 <sup>3</sup> / <sub>4</sub> " H	14 <sup>3</sup> / <sub>4</sub> " W X 15 <sup>3</sup> / <sub>4</sub> " H

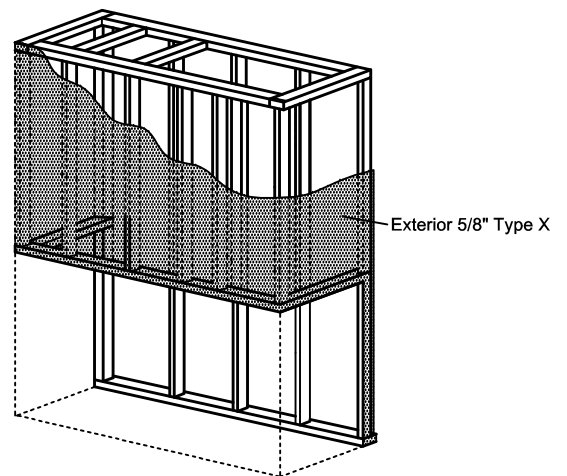
\* Dimensions includes <sup>1</sup>/<sub>2</sub>" lip ( for drywall)

- Note :**
1. Drawings are not to Scale
  2. All dimensions in inches

**90 Three Side Lyric - Flush**



Model	A	B	C	D
90	41 <sup>13</sup> / <sub>16</sub> "	38 <sup>13</sup> / <sub>16</sub> "	18 <sup>15</sup> / <sub>16</sub> "	10"

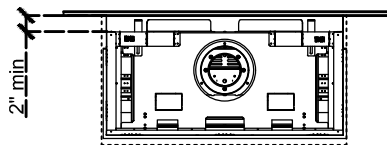
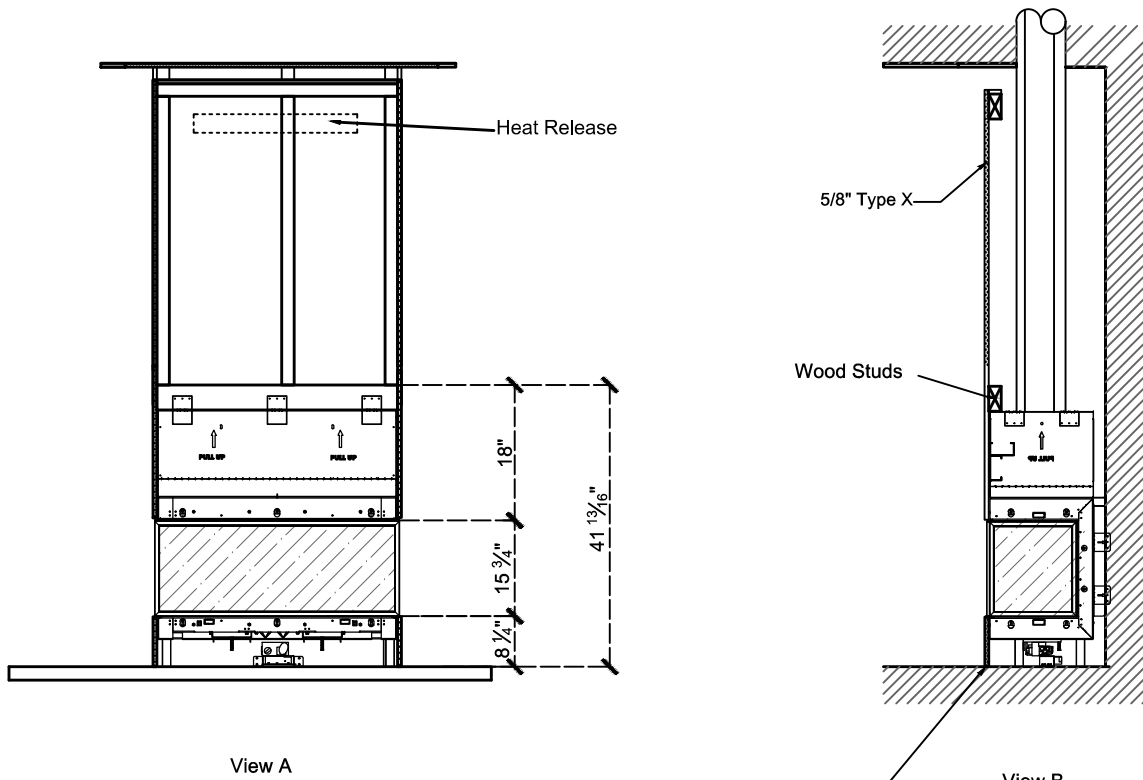


**LEGEND**

-  5/8" Type X
-  Steel
-  Wood
-  Glass
-  Wood Studs
-  Steel Studs

**Note :** 1. Drawings are not to Scale  
2. All dimensions in inches

**90 Three Side Lyric - Flush**



Top View

Note : 1. Drawings are not to Scale  
2. All dimensions in inches

The valve can be moved 36" - 40" from the center of the fireplace in any direction